

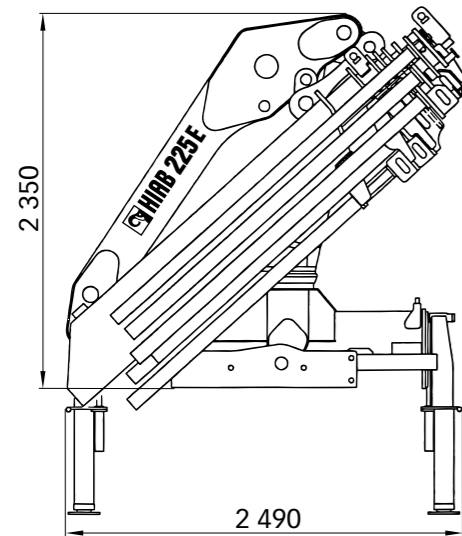
If you're looking for a crane with an extra dimension in performance, the HIAB 225 E delivers the goods!

With six models to choose from, delivering outstanding performance from 19.8 to 23.1 tonne-metres, the HIAB 225 E makes light work of the toughest tasks – at close quarters or at long outreach. Hiab's reputation as pioneers in crane design and engineering is once again to the fore. The 225 E features a highly innovative cylinder operating system allowing fully sequential extension and retraction of the cylinders at low working pressures. Together with its inner and outer boom links, the HIAB 225 E gives you maximum manoeuvrability, accuracy and control with unrivalled operating economy.

Key features

- Excellent outreach and close in performance
- High inner boom – ideal for winch applications
- Sequential cylinder operation standard on HIAB 225 E-6 and 225 E-7*
- 7 hydraulic extensions
- Jib and manual extensions
- Suitable for rear-mounted truck installation
- Available with HIAB Valve 91 for extra speed and precision
- Available with CombiDrive remote control system**
- Mechanical inner and outer boom links

* Optional on all other HIAB 225 E models
** Radio control also available



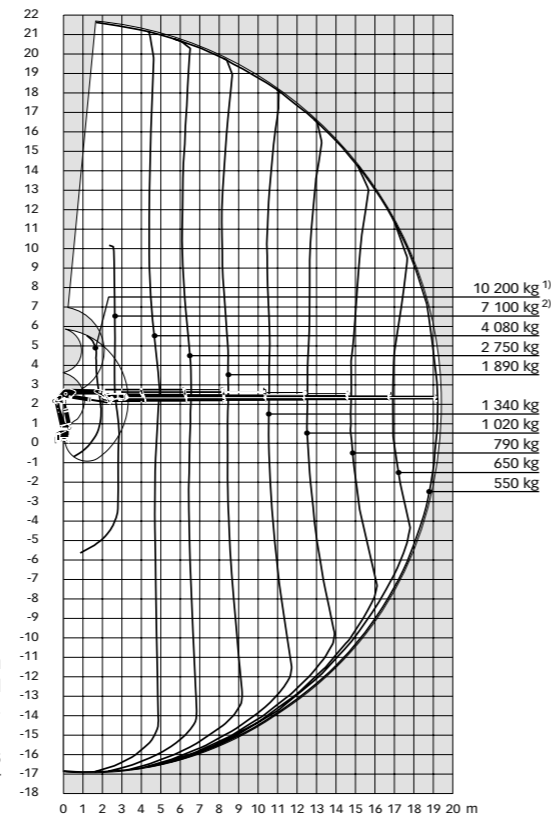
Hiab cranes have been built to meet the highest standards of safety and service life and have been thoroughly tested. Strength calculations have been carried out in accordance with the German DIN norm 15018, crane group B 3. Hiab's CE-marked cranes comply with the EU's Machinery Directive. Hiab's certified Quality Assurance System complies with the ISO 9001.

NOTE. Some of the items we describe in our literature may be extra equipment. Certain applications may require an official permit. We reserve the right to change technical specifications without prior notice.

Technical data	HIAB 225 E-2	HIAB 225 E-3	HIAB 225 E-4
Hydraulic outreach, standard (m)	8.1	10.5	12.6
Outreach / lifting capacity standard (m / kg)	¹⁾ 1.9 / 11 300 ²⁾ 2.7 / 8 000 4.4 / 5 240 6.0 / 3 800 8.0 / 2 840	¹⁾ 1.9 / 11 000 ²⁾ 2.7 / 7 700 4.8 / 4 640 6.0 / 3 380 8.0 / 2 500 10.4 / 1 980	¹⁾ 1.9 / 10 800 ²⁾ 2.7 / 7 500 4.8 / 4 500 6.5 / 3 160 8.4 / 2 330 10.5 / 1 800 12.5 / 1 480
Height - boom in horizontal stretched out position (mm)	2 785	2 785	2 785
Weight in standard version with 4.7 m outrigger and support legs (kg)	3 095	3 345	3 545
	HIAB 225 E-5	HIAB 225 E-6	HIAB 225 E-7
Hydraulic outreach, standard (m)	14.8	17.0	19.3
Outreach / lifting capacity standard (m / kg)	¹⁾ 1.9 / 10 600 ²⁾ 2.7 / 7 300 4.8 / 4 300 6.5 / 3 000 8.4 / 2 150 10.5 / 1 620 12.5 / 1 300 14.7 / 1 080	¹⁾ 1.9 / 10 400 ²⁾ 2.7 / 7 200 4.8 / 4 200 6.5 / 2 870 8.4 / 2 020 10.5 / 1 470 12.5 / 1 150 14.7 / 930 16.9 / 790	¹⁾ 1.9 / 10 200 ²⁾ 2.7 / 7 100 4.8 / 4 080 6.5 / 2 750 8.4 / 1 890 10.5 / 1 340 12.5 / 1 020 14.7 / 790 19.2 / 550
Height - boom in horizontal stretched out position (mm)	2 785	2 785	2 785
Weight in standard version with 4.7 m outrigger and support legs (kg)	3 745	3 920	4 075

¹⁾ Special hook in inner hook attachment (optional) ²⁾ Standard hook on extension 2

HIAB 225 E-7



1286 GB 6.01 Printed in Finland by Waasa Graphics Oy

HIAB 225 E



For more information about the HIAB 225 E, or any other Hiab crane, please contact your local Hiab distributor.

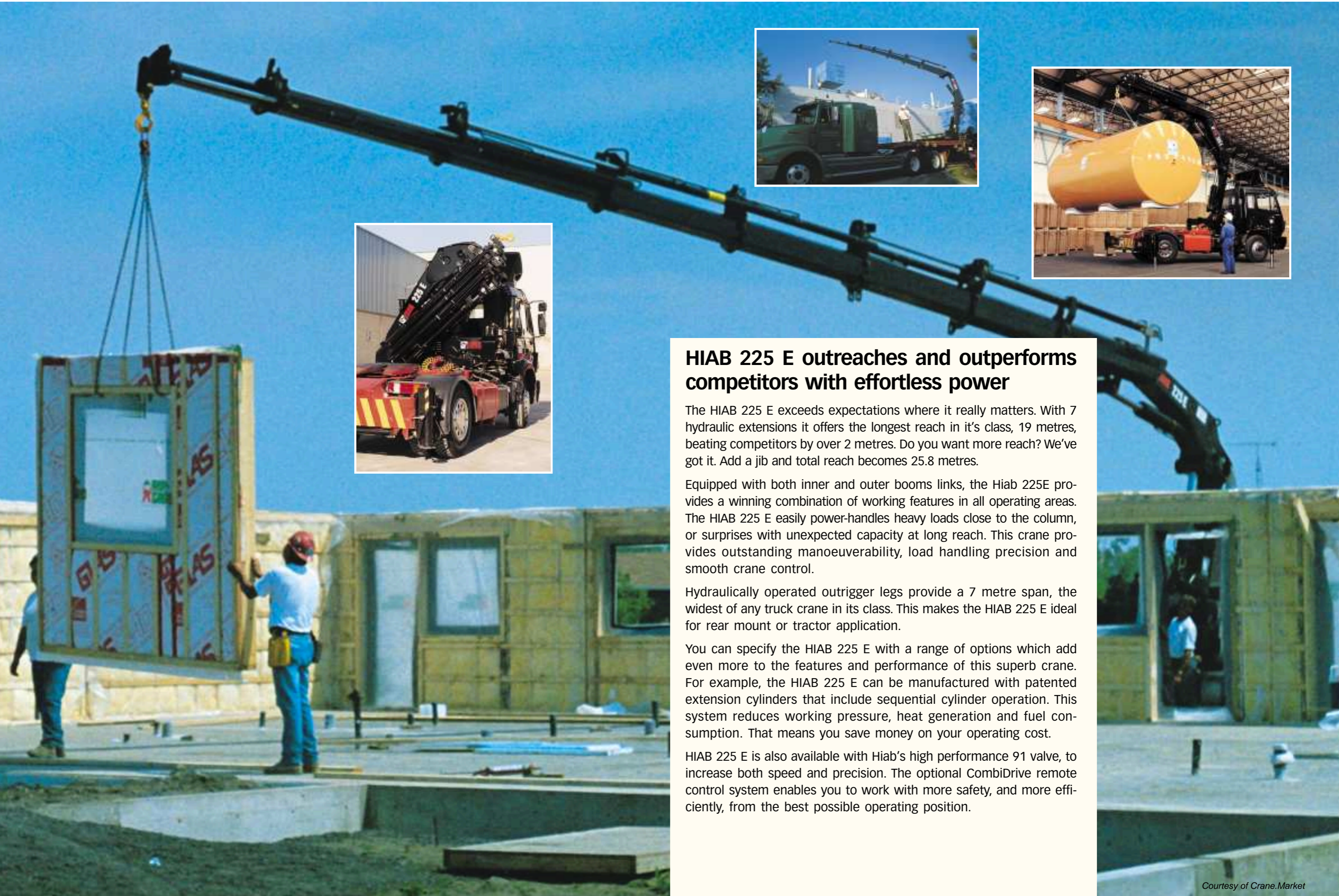


The world's No.1 brand of articulating cranes
Hiab is a Partek Cargotec Company



Courtesy of Crane.Market

HIAB 225 E – It gets to work in the areas that other cranes can not reach.



HIAB 225 E outreaches and outperforms competitors with effortless power

The HIAB 225 E exceeds expectations where it really matters. With 7 hydraulic extensions it offers the longest reach in its class, 19 metres, beating competitors by over 2 metres. Do you want more reach? We've got it. Add a jib and total reach becomes 25.8 metres.

Equipped with both inner and outer booms links, the Hiab 225E provides a winning combination of working features in all operating areas. The HIAB 225 E easily power-handles heavy loads close to the column, or surprises with unexpected capacity at long reach. This crane provides outstanding manoeuvrability, load handling precision and smooth crane control.

Hydraulically operated outrigger legs provide a 7 metre span, the widest of any truck crane in its class. This makes the HIAB 225 E ideal for rear mount or tractor application.

You can specify the HIAB 225 E with a range of options which add even more to the features and performance of this superb crane. For example, the HIAB 225 E can be manufactured with patented extension cylinders that include sequential cylinder operation. This system reduces working pressure, heat generation and fuel consumption. That means you save money on your operating cost.

HIAB 225 E is also available with Hiab's high performance 91 valve, to increase both speed and precision. The optional CombiDrive remote control system enables you to work with more safety, and more efficiently, from the best possible operating position.